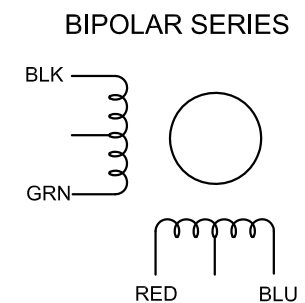
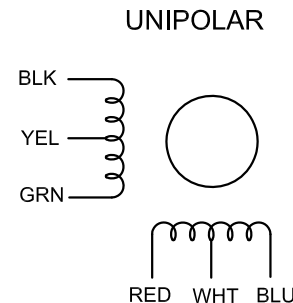


SPECIFICATION	CONNECTION	UNIPOLAR
VOTAGE(VOC)		8.60
AMPS/PHASE		1.00
RESISTANCE/PHASE(Ohms)@25°C		8.60±10%
INDUCTANCE/PHASE(mH)@1KHz		14.00±20%
HOLDING TORQUE(Nm)[lb-in]		1.35[11.95]
STEP ANGLE(°)		1.80
STEP ACCURACY(NON-ACCUM)		±5.00%
ROTOR INERTIA(g-cm <sup>2</sup> )		480.00
WEIGHT(Kg)[lb]		1.00[2.20]
TEMPERATURE RISE:MAX.80°C (MOTOR STANDSTILL;FOR 2PHASE ENERGIZED )		
AMBIENT TEMPERATURE -10°C~50°C[14°F~122°F]		
INSULATION RESISTANCE 100 Mohm (UNDER NORMAL TEMPERATURE AND HUMIDITY )		
INSULATION CLASS B 130°C[266°F]		
DIELECTRIC STRENGTH 500VAC FOR 1MIN.(BETWEEN THE MOTOR COILS AND THE MOTOR CASE )		
AMBIENT HUMIDITY MAX.85%(NO CONDENSATION)		

STEP	A	B	$\bar{A}$	$\bar{B}$	O( $\bar{O}$ )	CW
1	+	+			+	↓
2		+	+		+	
3			+	+	+	
4	+			+	+	
1	+	+			+	
1	+	+			+	



		APVD			<b>STEPPER MOTOR</b>
		CHKD			
	1:1.5	DRN			<b>23HS30-1006S</b>
SCALE		SIGNATURE		DATE	