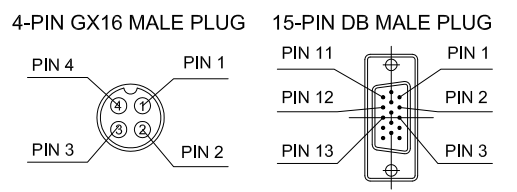
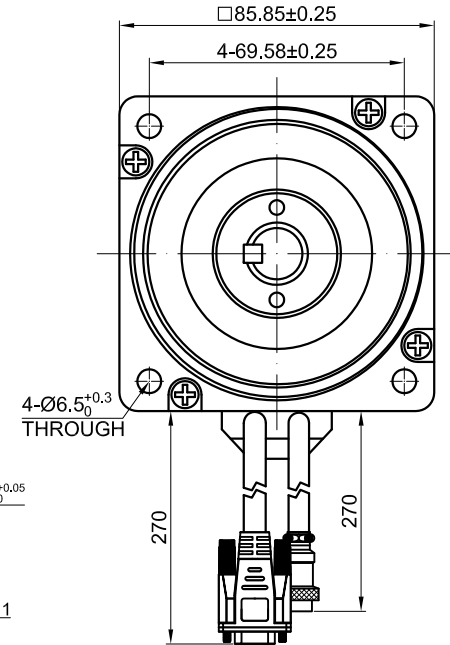
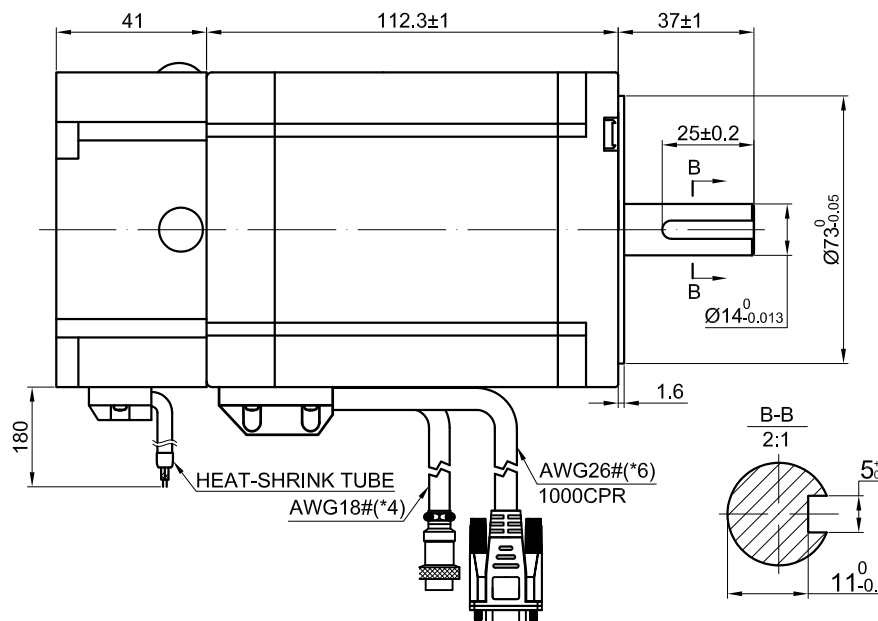
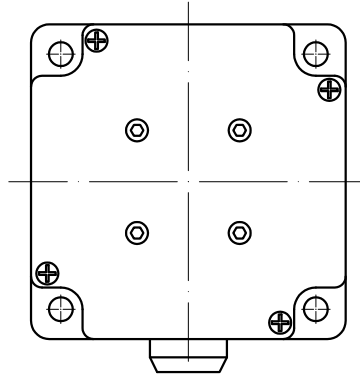


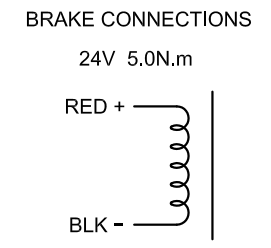
END COVER COLOR: BLACK



SPECIFICATION	CONNECTION
AMPS/PHASE	BIPOLAR
RESISTANCE/PHASE(Ohms)@20°C	6.00
INDUCTANCE/PHASE(mH)@1KHz	0.54±10%
HOLDING TORQUE(Nm)[lb-in]	5.00±20%
STEP ANGLE(°)	8.50 [75.29]
MAXIMUM RADIAL RUNOUT(mm)@LOAD 450g	1.8±0.09
MAXIMUM AXIAL RUNOUT(mm)@LOAD 920g	0.025
ROTOR INERTIA(g-cm²)	0.075
WEIGHT(Kg)[lb]	3600
	—

TEMPERATURE RISE:MAX.80°C (MOTOR STANDSTILL;FOR 2PHASE ENERGIZED)
OPERATION AMBIENT TEMPERATURE 0°C~50°C[32°F~122°F]
INSULATION RESISTANCE 100 Mohm (UNDER NORMAL TEMPERATURE AND HUMIDITY)
INSULATION CLASS B 130°C[266°F]
DIELECTRIC STRENGTH 500VAC FOR 1MIN.(BETWEEN THE MOTOR COILS AND THE MOTOR CASE)

TYPE OF CONNECTION (EXTERN)		MOTOR	
PIN NO	BIPOLAR	LEADS	WINDING
1	A —	WHT	A
2	A\ —	GRN	A\
3	B —	BLU	B
4	B\ —	BLK	B\



FULL STEP 2 PHASE-Ex. ,
WHEN FACING MOUNTING END (X)

STEP	A	B	A\	B\	CCW	CW
1	+	+	-	-	↓	↑
2	-	+	+	-		
3	-	-	+	+		
4	+	-	-	+		

15-PIN DB MALE PLUG	1	2	3	11	12	13
LEAD COLOR	BLK	RED	WHT	YEL	GRN	BLU
DESCRIPTION	EA+	VCC	GND	EB+	EB-	EA-

APVD		7.12.2019
CHKD		
1:2	DRN	
SCALE	SIGNATURE	DATE

STEPPER MOTOR

34E1KBK50-85